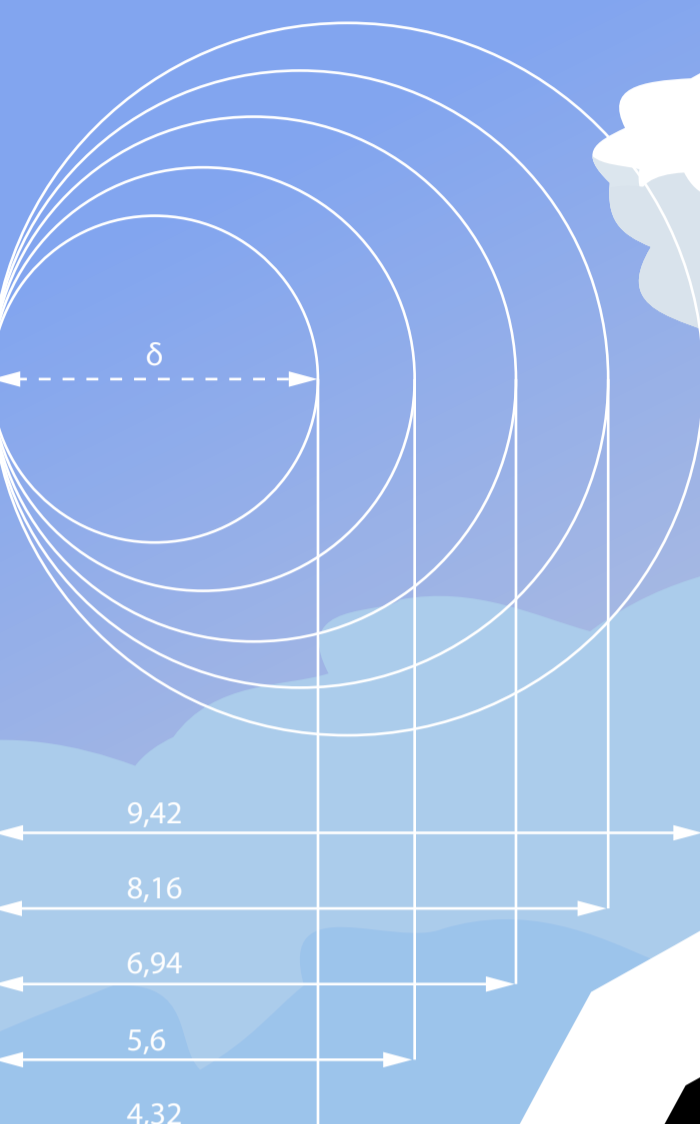
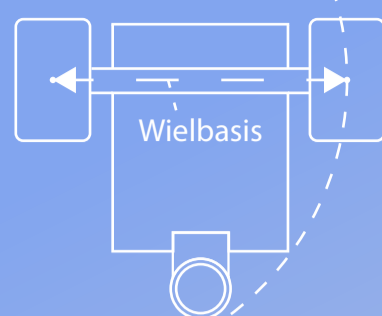


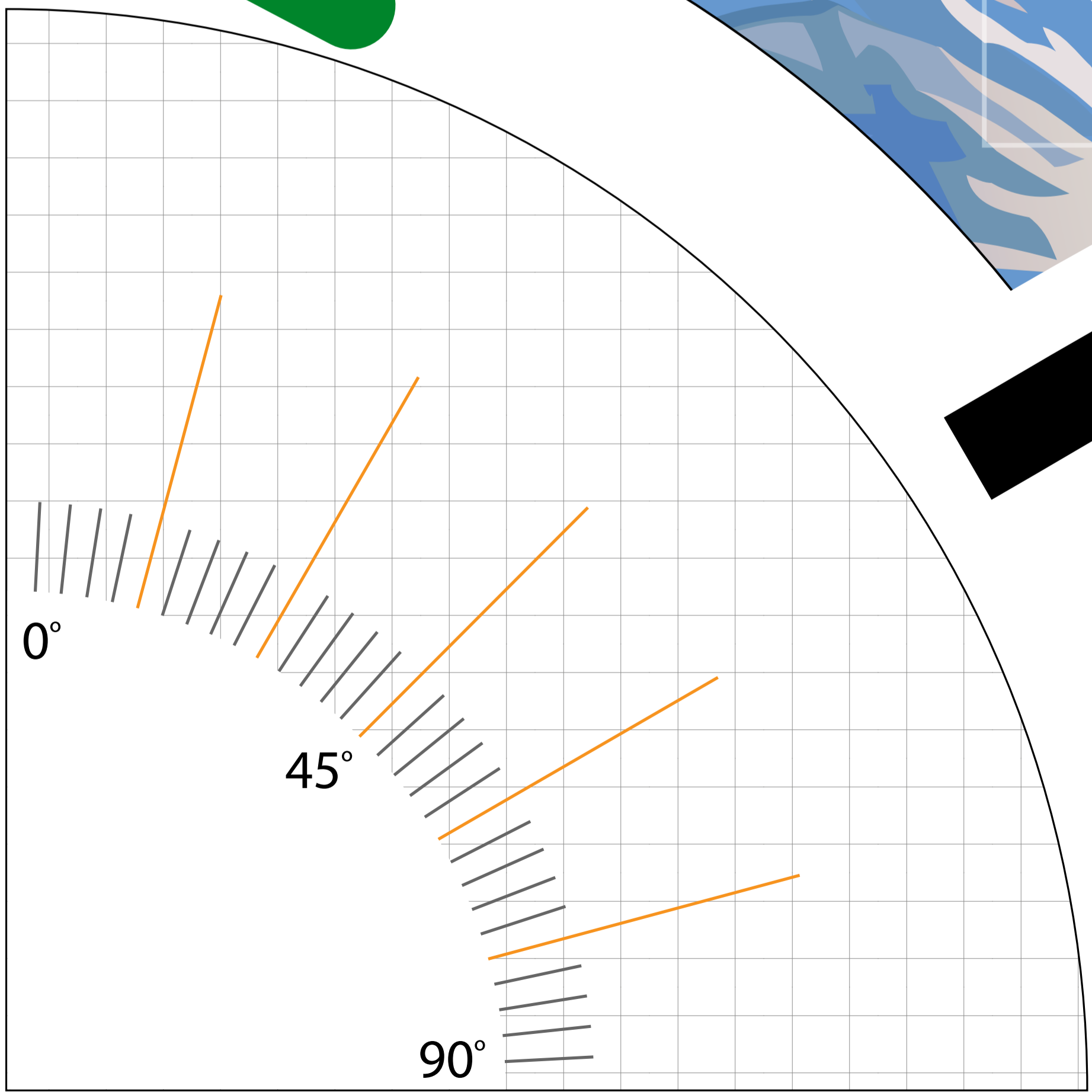
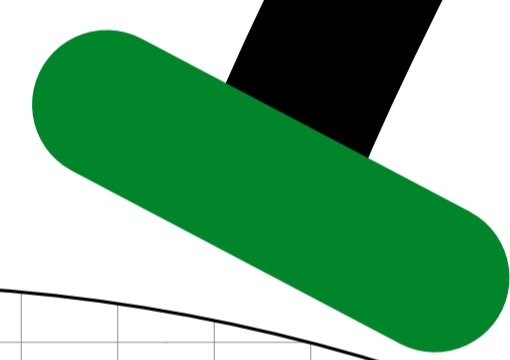
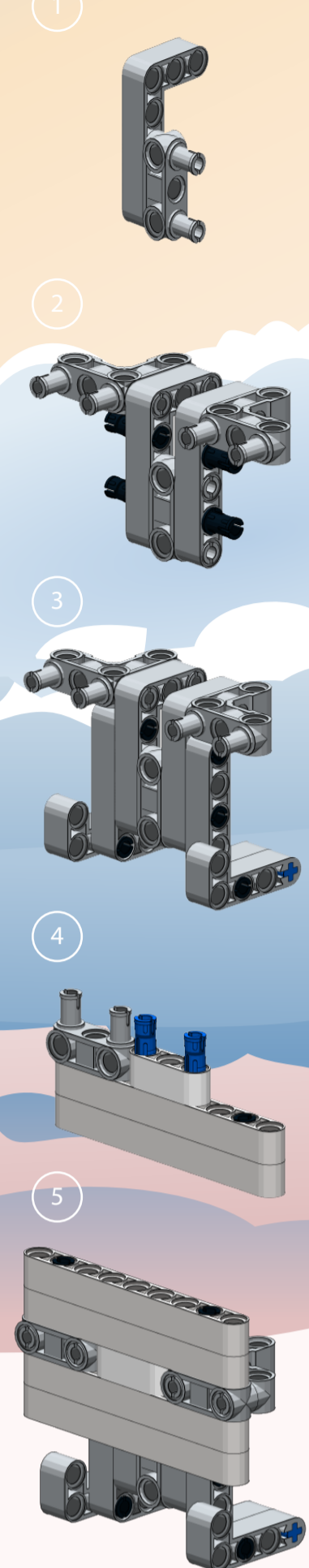
# LET'S CALIBRATE

Wielbasis x 2 x π  
Wielomtrek (δ x π)



π=3,1415926535897  
93238462643383279  
5028841971693993  
751058209749445  
92307816406286  
20899862803482  
5342117067982

Bouwtekening  
wegblokkade



START  
BASIS

30 cm

50 cm

